

DOORLOCK HOIST/JACKSHAFT (DHJ)

LOGIC 5.0 COMMERCIAL DOOR OPERATOR



INDUSTRIAL-DUTY APPLICATIONS

IDEAL FOR SHOPPING MALLS AND CAFETERIAS

Includes Floor-Level Chain Hoist for Larger/Heavier Doors/Grilles

INTERNAL DOORLOCK SENSOR

Prevents Damage by Restricting Door Activation While Door Is Locked

WALL OR HOOD MOUNTS

for Rolling Doors/Grilles and Sectional Overhead Doors with Vertical High Lift

SMART

MyQ® TECHNOLOGY ENABLES MONITORING AND CONTROL OF THE FACILITY OPERATORS THROUGH A MOBILE APP.

GRID VIEW TO EFFICIENTLY MONITOR ALL THE DOORS IN THE FACILITY.

REAL-TIME ALERTS INDICATE THE STATUS OF DOORS VIA EMAIL OR PUSH NOTIFICATIONS.

CONNECTIVITY REQUIRES PURCHASE OF INTERNET GATEWAY (828LM) OR MyQ HOME BRIDGE (819LMB), SOLD SEPARATELY.

SAFE AND SECURE

SECURITY+ 2.0® SAFEGUARDS FACILITY ACCESS WITH ROLLING CODE TECHNOLOGY, OPENING FOR REGISTERED DEVICES ONLY.

TIMER-TO-CLOSE CAN BE PROGRAMMED TO CLOSE THE DOOR AFTER A SET AMOUNT OF TIME.

THE COMMERCIAL PROTECTOR SYSTEM® AUTO-REVERSES THE DOOR IF AN ENTRAPMENT PROTECTION DEVICE DETECTS AN OBSTRUCTION.

UL 325 REQUIRES ALL COMMERCIAL DOOR OPERATORS TO BE EITHER CONSTANT PRESSURE TO CLOSE OR BE EQUIPPED WITH A PRIMARY EXTERNAL MONITORED ENTRAPMENT DEVICE.

RELIABLE

CONTINUOUS-DUTY HIGH-STARTING TORQUE MOTOR PERFORMS IN DEMANDING INDUSTRIAL OVERHEAD AND ROLLING DOOR APPLICATIONS.

WARRANTY 2 YEARS.

BEYOND INDUSTRY STANDARDS: LIFTMASTER® IS COMMITTED TO QUALITY PRODUCTS, INNOVATIVE DESIGN AND COMPREHENSIVE SERVICES.

MONITORED ENTRAPMENT PROTECTION:

COMMERCIAL PHOTO EYES

Indoor use; NEMA 1 rated; max. range: 30 ft.



CPS-U

RETRO-REFLECTIVE PHOTO EYE

Photo eye and reflector with polarized beam; indoor/outdoor use; NEMA 4X rated; max. range: 50 ft.



CPS-RPEN4

DUAL-SIDED PHOTO EYES

Flexible rubber housings resist water spray and corrosion; indoor/outdoor use; NEMA 4X rated; max. range: 45 ft.



CPS-OPEN4

COMMERCIAL PROTECTOR SYSTEM

Heavy-duty industrial housings; indoor/outdoor use; NEMA 4 rated; max. range: 45 ft.



CPS-UN4

OPTICAL EDGE SYSTEM

Infrared optical sensors in a customizable rubber enclosure are protected against water; indoor/outdoor use; NEMA 6 rated; max. range: 33 ft.



OES

NON-MONITORED ENTRAPMENT PROTECTION:

LIGHT CURTAIN

Provides 36 inches of increased zone coverage for additional protection; indoor use; max. range: 33 ft.



LC-36A

TOTAL SOLUTION ACCESSORIES:

ENCRYPTED DIP 3-BUTTON, 3-COLOR REMOTE CONTROL

Extreme-range remote programmable for open/close/stop operation.



813LM

INTERNET GATEWAY

Enables smartphone monitoring and control of each operator.



828LM

RED/GREEN TRAFFIC LIGHT

High-intensity LED lights indicate the door status for safe exit and entry in any light (TLS1CARD recommended).



RGL-CTL

LiftMaster offers accessory solutions for any commercial application. View the full product lineup at LiftMaster.com

MASTERFUL ENGINEERING.

LOGIC 5.0
DOORLOCK HOIST/JACKSHAFT OPERATOR

MOTOR



- Available in 1/2 and 3/4 HP
- Instant Reverse and Overload Protection
- Capacitor Start on Single-Phase
- Removable without Affecting Limit-Switch Settings

POWER



- Dual-Voltage Connections
 - Single-Phase: 115V and 230V
 - 3-Phase: 208V, 230V and 460V
 - Discrete Model: 575V
- Customizable Voltage to Meet Job Requirements
- 5V DC NEC Class 2 Control Voltage

COMMERCIAL-GRADE DESIGN



- **Industrial Ball Bearings** on 1" Output Shaft
- **Floor-Level Disconnect** and Chain Hoist with Electrical Interlock for Hoist Operation in an Emergency
- **Second Floor-Level Disconnect** for Manual Lifting in an Emergency
- **Solenoid Brake** Standard on 3/4 HP Operators (Optional on 1/2 HP)
- **Drive Reduction:** Heavy-Duty 5L V-Belt (First Stage); #48 Chain (Additional Reductions); #50 Output Sprocket Chain

STANDARD SPECS.

SECURITY+ 2.0® RADIO RECEIVER

ACCEPTS:

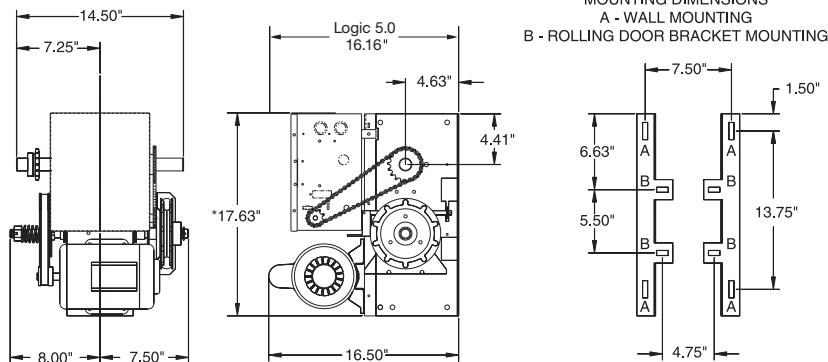
- (30) 3-Button Remote Controls or (90) 1-Button Remote Controls
- Additional 30 Wireless Keypads
- Unlimited DIP Switch Remotes

WIRING

- Control Function Selector Dial Allows Easy Selection of 7 Wiring Types to Meet Users' Needs
- C2 (Constant Pressure to Close) Wiring Preset
- Wiring Types B2, T, TS and FSTS Can Be Selected with the Addition of an Entrapment Protection Device
- Monitored Entrapment Protection Is Recommended When Using C2, D1 or E2
- Logic 5.0 Operators Only Accept UL-Approved LiftMaster® Entrapment Protection Devices

CONSTRUCTION

- NEMA 1 Type Electrical Box
- Heavy-Duty 11-Gauge Steel Frame with Durable Powder-Coated Finish
- All Reduction Sprockets Drilled and Pinned to Shafts
- Mid-Stop Enables Partial Openings to a Programmed Position for Environmental Control and Time Savings
- Adjustable Friction Clutch Protects the Door and Operator from Damage and Obstructions



*FOR MODELS WITH BRAKES, ADD 2"
(BRAKE STANDARD ON 3/4 HP, OPTIONAL ON 1/2 HP)

MAXIMUM DOOR AREA (SQ. FT.)

	24 GA. STEEL ALUMINUM GRILLES	22 GA. STEEL ALUMINUM DOORS	-	20 GA., 18 GA. STEEL STEEL GRILLES	16 GA. STEEL	-
ROLLING						
SECTIONAL	FIBERGLASS	24 GA., 22 GA. STEEL ALUMINUM DOORS	20 GA. STEEL	-	16 GA. STEEL	-
			WOOD DOORS	-	-	-
			24 GA. STEEL INSULATED	-	20 GA. STEEL INSULATED	16 GA. STEEL INSULATED
HP	1/2	400	350	320	280	250
	3/4	560	500	450	380	250

MODIFICATIONS AND ACCESSORIES. BUILT FOR ANY APPLICATION.

- **Key Control Switch with Stop Button (02-110):** Indoor Flush Mount with Architectural Faceplate; Surface Mount and Outdoor Options Available
- **TLS1CARD:** Timer Light Status Plug-In Option Card (Typically Used to Control Red/Green Traffic Light and Audible Devices)
- **AUXCARD:** Auxiliary Contacts Plug-In Option Card (with Relays That Change State While the Door Is Moving and When the Operator Is Powered Down)
- **Auxiliary Limits:** Auxiliary Limit Switches at Open and Closed Limits to Control Lights, Heaters, Dock Levelers and Other Auxiliary Devices

For more detailed information or to configure your model number, please visit Dealer.LiftMaster.com